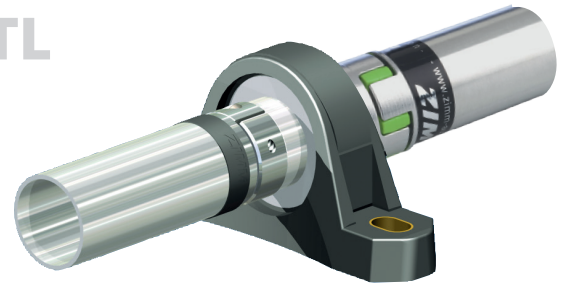
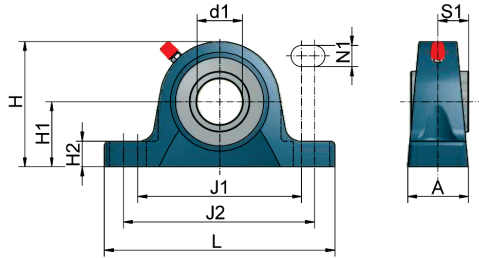
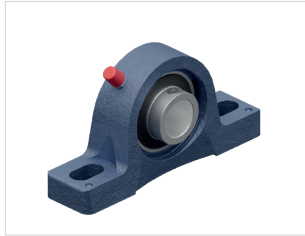


Pedestal bearing STL

for connecting shaft VWZ



Technical data

We use high-quality pedestal bearings.

Material:

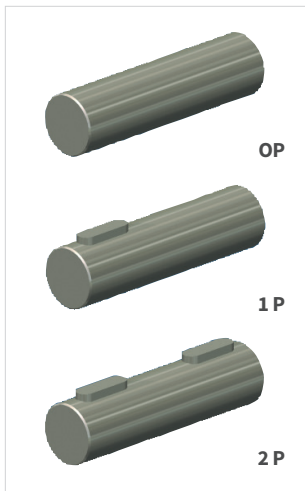
Housing material: Grey cast iron, primed in blue

Bearing material: Roller bearing steel

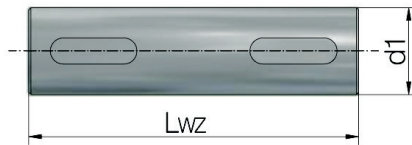
Temperature range: -30°C to +120°C

Pedestal bearing STL

Code	d1	A	H	H1	H2	J1	J2	L	N1	S1	kg
STL-15-G	15	32	56	30,2	14	88	106	127	11,5	15,3	0,47
STL-20-G	20	32	65	33,3	14	88	106	127	11,5	18,3	0,59
STL-30-G	30	40	82,5	42,9	17	108	127	152	14	22,2	1,1
STL-50-G	50	54	114,5	57,2	22	149	165	203	18	32,6	2,7



Shaft extension WZ



A pedestal bearing is used for long connecting shafts that are operated at higher speeds. Please pay special attention to the installation height of the pedestal bearing.

Code	d1	Lwz	kg
WZ-15/74-?P	15	74	0,1
WZ-20/76-?P	20	76	0,19
WZ-20/102-?P	20	102	0,25
WZ-30/130-?P	30	130	0,72
WZ-50/170-?P	50	170	2,61

Ordering example:

WZ-20/102-1P

Diameter _____ ↑
Length _____ ↑
Drive keys _____ ↑
 0P, 1P, 2P