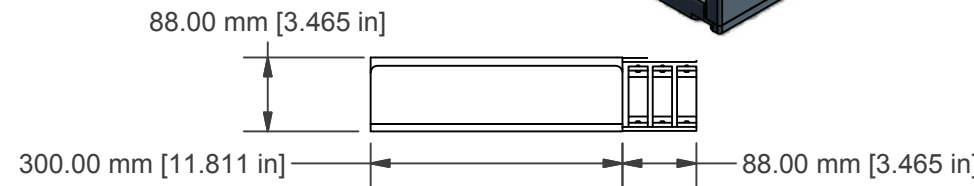
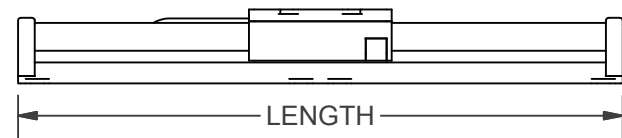
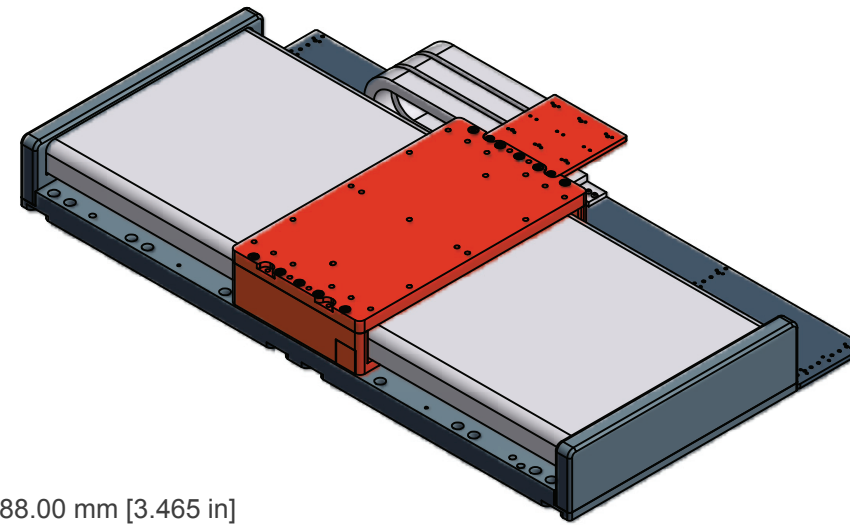
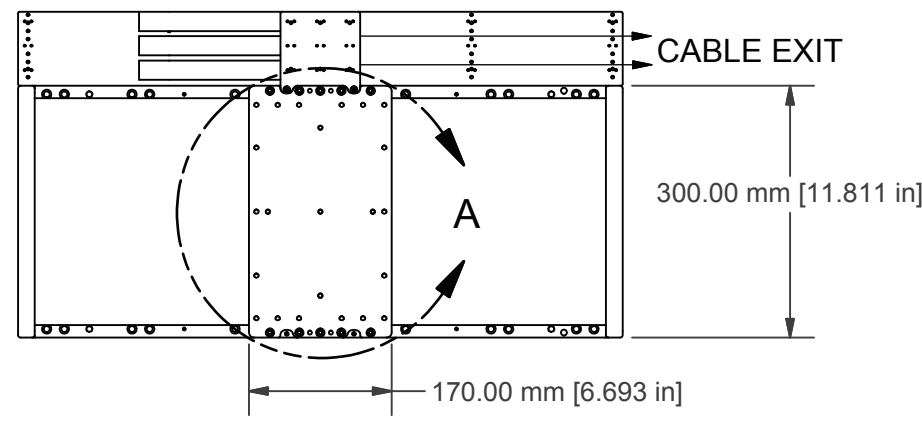


4

3

2

1



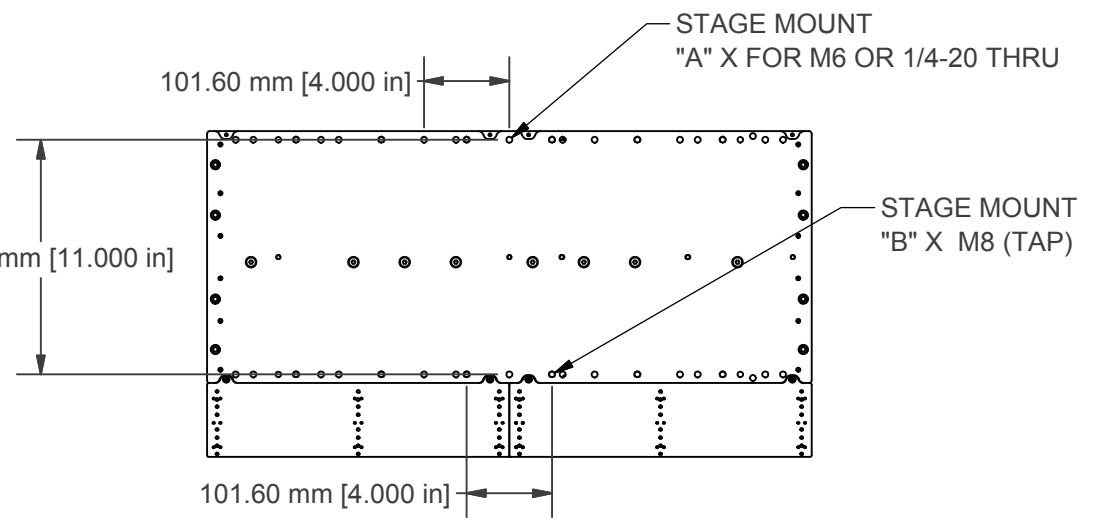
STANDARD FEATURES	
Stage	Linear Stage
Travel	100mm to 1000mm
Motor	Ironless Core Linear Motor
Feedback	Non-Contact Optical Encoder
Scale	Gold Tape Scale Optional: Near Zero CTE ZeroMet
Resolution	1Vp-p Analog Output (5nm with 4096 Interpolation) Digital Output Options: 5mm, 1mm, 0.5mm, 0.2mm, 100nm, 50nm, 20nm**, 10nm**, and 5nm** (** Reduced Speeds Apply)
Sensors	Integrated Home and End of Travel Limits
Bearings	Dual Recirculating Ball Rail Bearings
Cables	High Flex, 10M Cycle, 3m Length
Structure	Anodized Aluminum 6061-T6 Optional: Stainless Steel
Environment	Standard Optional: Clean Room and Vacuum (10-6 Torr)
Temperature	0°C to 50°C
Humidity	10% to 80% Non-Condensing
Precision	6-D Nano Precision™ Test Methods

B

B

A

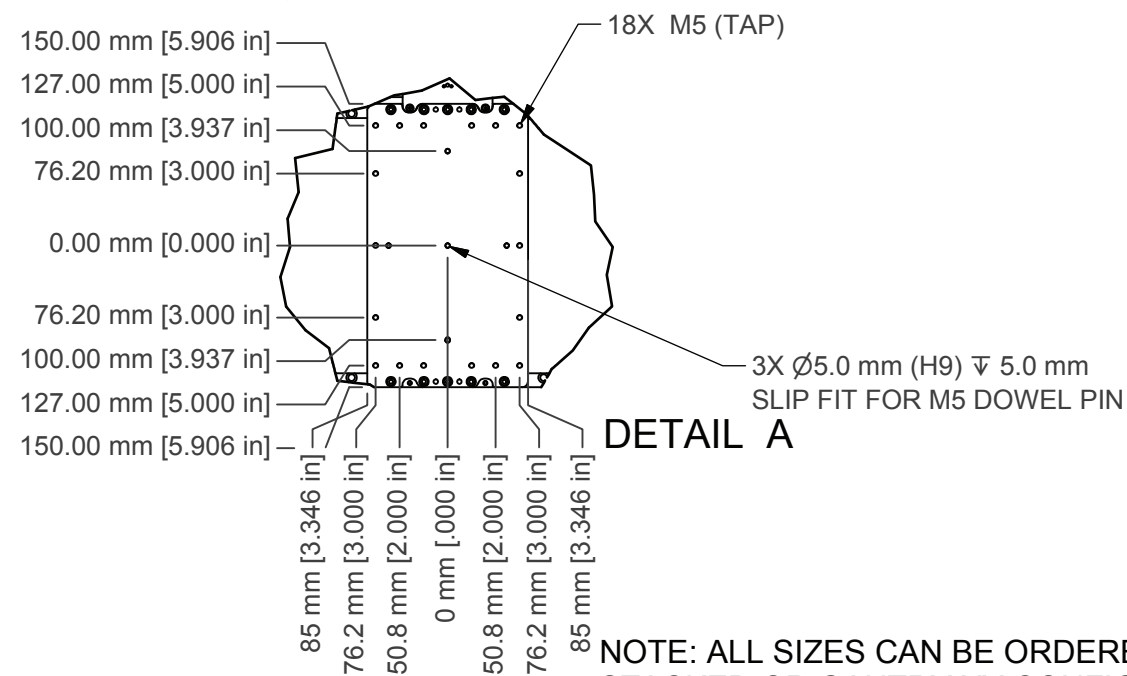
A



TRAVEL	LENGTH	A (QTY)	B (QTY)
100	320	6	4
150	370	8	6
200	420	8	6
250	470	10	8
300	520	10	8
400	620	12	10
500	720	14	12
600	820	16	14
700	920	18	16
800	1020	20	18
1000	1220	24	20

* All units millimeters unless otherwise noted.
 * All hole patterns centered on M5 dowel pin hole at center of stage.

11919 W I-70 FRONTAGE ROAD NORTH, UNIT 119, WHEAT RIDGE, CO 80033 USA
 (Tel) 303.339.7500 - SALES@ALIOINDUSTRIES.COM - WWW.ALIOINDUSTRIES.COM



NOTE: MODEL AI-LM-50000-UII-W SHOWN.
 NOTE: ALL SIZES CAN BE ORDERED AS STACKED OR GANTRY XY CONFIGURATIONS.

DRAWN	NBROWN	1/21/2011
CHECKED		
Tolerances: Surface Roughness:		
x.x ± .05 in [1.3 mm]		
x.xx ± .01 in [0.25 mm]		
x.xxx ± .005 in [0.13 mm]		✓ RMS MAX.
Angles ± 0.5°		
MATERIAL		
FINISH	SEE NOTES	

TITLE

AI-LM-(TRAVEL)00-μ IIW

SIZE	B	DWG NO	0010-08053	REV	001
SCALE		ALIO STD TEMPLATE - REV 006	SHEET	1	OF 1

4

3

2

1