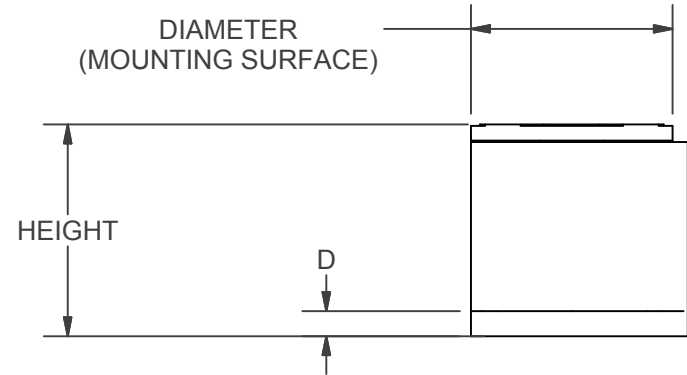
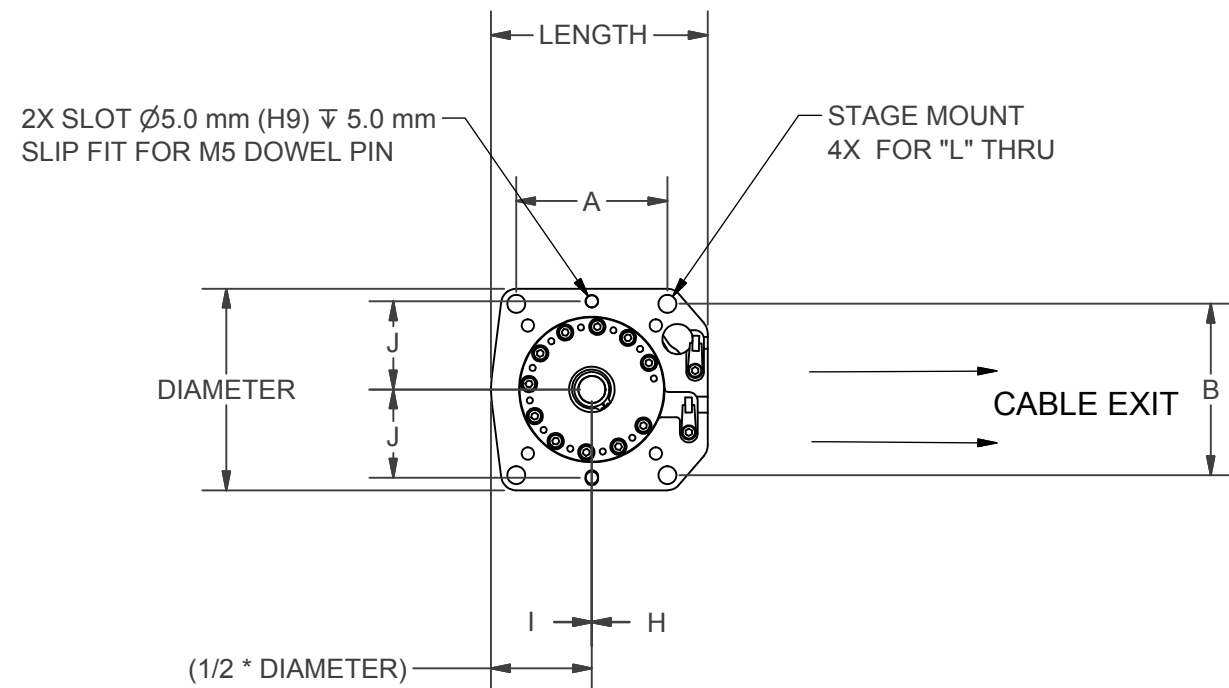


STANDARD FEATURES	
Stage	Rotary Stage
Travel	360 Degrees Continuous
Motor	Frameless Direct Drive Motor
Feedback	Non-Contact Optical Encoder
Scale	20um Pitch Glass Disc
Resolution	Digital Output Options: (see specifications)
Runout	Axial: < 25 um Available (see specifications) Radial: < 25 um Available (see specifications)
Sensors	Integrated Home Mark
Bearings	Angular Contact (Duplex Pair)
Cables	High Flex, 10M Cycle, 1.5m Length
Structure	Anodized Aluminum 6061-T6 Optional: Stainless Steel
Environment	Standard Optional: Clean Room
Temperature	0°C to 50°C
Humidity	10% to 80% Non-Condensing
Precision	6-D Nano Precision™ Test Methods



DIAMETER	HEIGHT	LENGTH	A (inch)	B (inch)	C	D	E	F	G (degrees)	H	I	J	K	L	M	N
80	84	86	60 mm	68 mm	10.75	10	50	35	0	n/a	0	35	32.5	M6 or 1/4-20	M4	M4

* All units millimeters unless otherwise noted.
* All hole patterns centered on thru hole at center of stage diameter.



NOTE: MODEL AI-TM-80RA-UII SHOWN

ALIO INDUSTRIES PROPRIETARY INFORMATION
(Tel) 303.339.7500 - SALES@ALIOINDUSTRIES.COM - WWW.ALIOINDUSTRIES.COM

DRAWN	NBROWN	5/12/2012				
CHECKED						
Tolerances: Surface Roughness: x.x ± .05 in [1.3 mm] x.xx ± .01 in [0.25 mm] x.xxx ± .005 in [0.13 mm] ✓ RMS MAX. Angles ± 0.5°			TITLE			
MATERIAL			AI-TM-(DIAMETER)RA-UII			
FINISH		SEE NOTES	SIZE	DWG NO	REV	
			B	0010-08043	001	
SCALE			ALIO STD TEMPLATE - REV 006		SHEET	1 OF 1