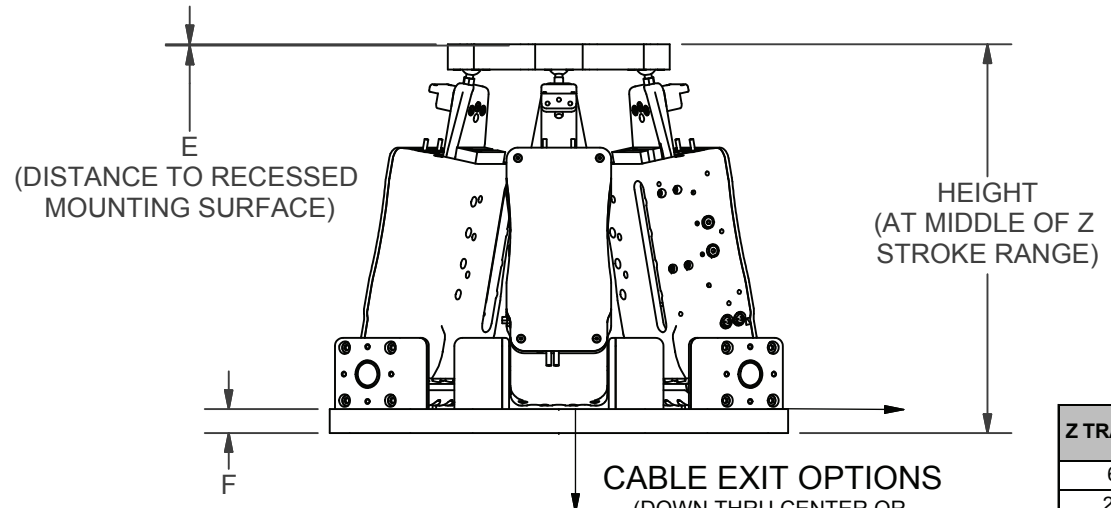
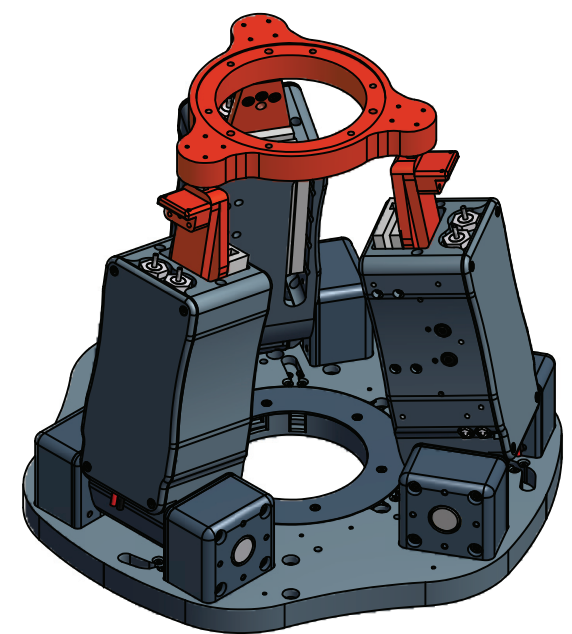


6X "O" (TAP)  
(EQUALLY SPACED ON  
BOLT CIRCLE DIAMETER "K")

3X Ø5.0 mm (H9)  $\nabla$  5.0 mm  
SLIP FIT FOR M5 DOWEL PIN  
(EQUALLY SPACED ON  
BOLT CIRCLE DIAMETER "K")



CABLE EXIT OPTIONS  
(DOWN THRU CENTER OR  
OUT THROUGH SIDE)

Z TRAVEL	PITCH & ROLL TRAVEL	OPTION	LENGTH	WIDTH	HEIGHT	A (inch)	B (inch)	C	D	E	F	G	H	I	J	K	L (degrees)	M (degrees)	N	O
6	+/- 3 degrees	--	172.5	164.3	142.6	2	2	172.5	196	1	12	50	50	30	50	40	30	0	M6 or 1/4-20	M4
24	+/- 15 degrees	--	208	196.3	173	3	3	208	225	1	12	80	100	50	70	60	30	0	M6 or 1/4-20	M4
55	+/- 20 degrees	--	363.8	339.9	308.6	4	7	363.9	363.9	1	19.1	100	100	100	125	112.5	30	60	M6 or 1/4-20	M5
106	+/- 20 degrees	--	393.8	368	459.9	4	7	395	395	1	19.1	100	100	100	125	112.5	30	60	M6 or 1/4-20	M5

\* All units millimeters unless otherwise noted.  
 \* All hole patterns centered on M5 dowel pin hole pattern on base and top stage.  
 \* See specification sheet and contact ALIO technical sales for assistance in model selection.

STANDARD FEATURES	
Stage	Linear Motor Tripod
Travel	3 Degrees of Freedom (Z, Pitch, and Roll Axis Motion)
Z Travel	6 - 106 mm
Angular Travel	+/- 3 to +/- 20 degrees
Max Payload	2.0 - 10.0+ kg
Motor	Ironless Core Linear Motor
Feedback	Non-Contact Optical Encoder
Scale	Gold Tape Scale Optional: Near Zero CTE ZeroMet
Linear Resolution	~5 nm
Angular Resolution	< 0.04 arc-sec
Sensors	Integrated Home and End of Travel Limits
Bearings	High Precision Crossed Roller Bearings
Counterbalance	Frictionless Pneumatic Cylinder
Cables	High Flex, 10M Cycle, 3m Length
Structure	Anodized Aluminum 6061-T6 Optional: Stainless Steel
Environment	Standard (Additional Options are Available)
Temperature	0°C to 50°C
Humidity	10% to 80% Non-Condensing
Precision	6-D Nano Precision™ Test Methods

ALIO INDUSTRIES PROPRIETARY INFORMATION  
 (Tel) 303.339.7500 - SALES@ALIOINDUSTRIES.COM - WWW.ALIOINDUSTRIES.COM



TITLE  
**AI-TRI-LM-(Z TRAVEL)00  
 -(OPTION)**

DRAWN	NBROWN	5/12/2012
CHECKED		
Tolerances: Surface Roughness: x.x ± .05 in [1.3 mm] x.xx ± .01 in [0.25 mm] x.xxx ± .005 in [0.13 mm] ✓ RMS MAX. Angles ± 0.5°		
MATERIAL		
FINISH	SEE NOTES	

SIZE	B	DWG NO	0010-08008	REV	001
SCALE		ALIO STD TEMPLATE - REV 006	SHEET	1	OF 1

NOTE: MODEL AI-TRI-LM-5500 SHOWN.