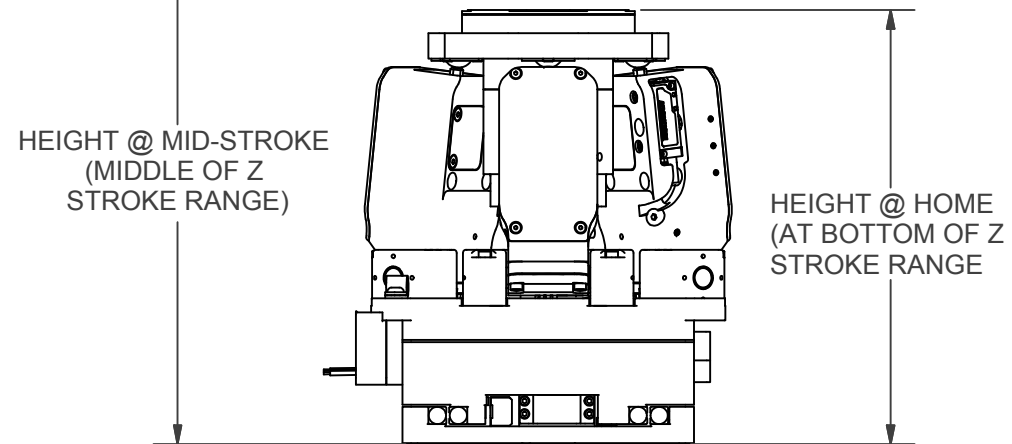


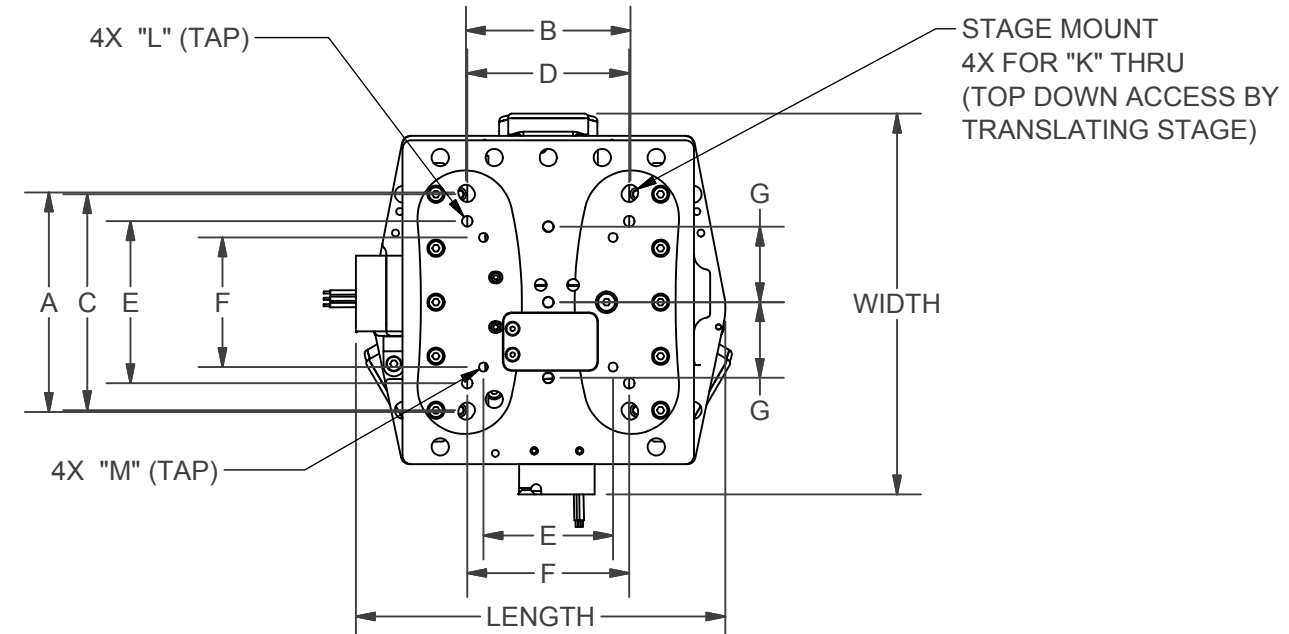
**STANDARD FEATURES**

Stage	Hybrid Hexapod
Travel	6 Degrees of Freedom (X, Y, Z, Pitch, Roll, and Yaw)
XY Travel	60 mm
Z Travel (Tripod)	15 mm
Angular Travel (Tripod)	+/- 10 degrees (Pitch and Roll), 360 degrees continuous (Yaw)
Max Payload	5.0+ kg
Motor (XY)	Frameless Torque Motor with Precision Ball Screw Optional: Ironless Core Linear Motor
Motor (Tripod)	Frameless Torque Motor with Precision Ball Screw
Motor (Rotary)	Frameless Torque Motor w/ 1:100 Strain Wave Gear Ratio
Feedback (XY + Tripod)	Non-Contact Optical Linear Encoder (Gold Tape Scale)
Feedback (Rotary)	Non-Contact Optical Angle Encoder (Stainless Steel Ring)
Backlash	0 nm or 0 arc-sec (No Backlash on Any Axis)
Resolution	~5 nm (Linear), < 0.04 arc-sec (Angular)
Sensors	Integrated Home and End of Travel Limits
Bearings	High Precision Crossed Roller Bearings (All Axes)
Cables	High Flex, 10M Cycle, 3m Length
Structure	Anodized Aluminum 6061-T6
Environment	Standard
Temperature	0°C to 50°C
Humidity	10% to 80% Non-Condensing
Precision	6-D Nano Precision™ Test Methods



XY TRAVEL	Z TRAVEL	PITCH & ROLL TRAVEL	R DIAMETER	OPTION	LENGTH	WIDTH	HEIGHT @ HOME	HEIGHT @ MID-STROKE	A (inch)	B (inch)	C	D	E	F	G	H	I	J	K	L	M	N	P
60	15	+/- 10 degrees	80	-	174	176.3	201	209	4	3	100	75	75	60	35	30	22.5	50	M6 or 1/4-20	M6	M5	M3	M4
60	15	+/- 10 degrees	80	LM	170	163.5	224.5	232.5	5	4	125	75	100	75	35	30	22.5	50	M6 or 1/4-20	M6	M5	M3	M4

\* All units millimeters unless otherwise noted.  
 \* All hole patterns centered on M5 dowel pin at center of XY stage or centered on thru hole of top rotary stage.  
 \* All axes shown at their mid-stroke or home position except tripod which is shown at its lowest position which coincides with Z axis home position.  
 \* See specification sheet and contact ALIO technical sales for assistance in model selection.



ALIO INDUSTRIES PROPRIETARY DOCUMENT  
 5335 XENON ST, ARVADA, CO 80002 USA  
 (Tel) 303.339.7500 - WWW.ALIOINDUSTRIES.COM

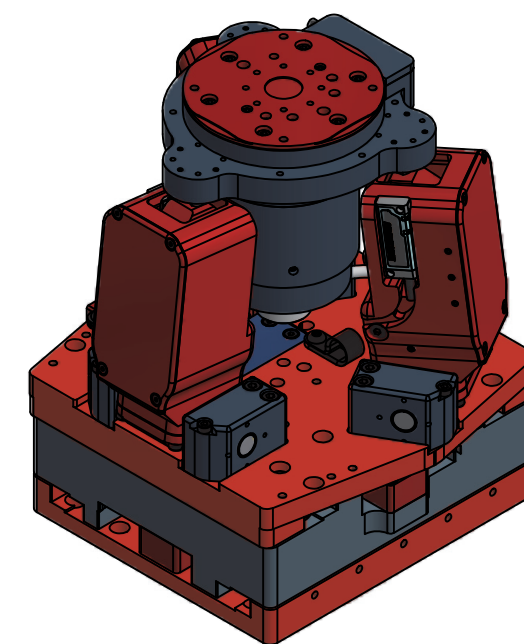


DRAWN	NBROWN	2018-04-05			
CHECKED					
Tolerances: Surface Roughness: x.x ± 0.5 mm x.xx ± 0.13 mm x.xxx ± 0.05 mm ANGLES ± 0.5° MATERIAL			TITLE <b>AI-HH-(XY TRAVEL)XY-(Z TRAVEL)Z-(R DIAMETER)RGR</b>		
FINISH			SIZE	DWG NO	REV
SEE NOTES			B	0010-08116	001
SCALE			0090-07999-014 ALIO STD TEMPLATE SHEET 1 OF 3		

NOTE: MODEL AI-HH-60XY-15Z-80RGR SHOWN.



# ALIO HYBRID HEXAPOD PERFORMANCE SPECIFICATIONS



MODEL		UNITS	AI-HH-60XY-15Z-80RGR			AI-HH-60XY-15Z-80RGR		
OPTION		--	--			"LM"=HIGH FORCE LINEAR MOTOR XY		
XY TRAVEL		mm	60			60		
Z TRAVEL		mm	15			15		
PITCH AND ROLL TRAVEL [10]		deg	+/- 10			+/- 10		
YAW TRAVEL		deg	360 deg continuous			360 deg continuous		
PERFORMANCE SPECIFICATIONS [1]			(STD)	ULTRA	NANO	(STD)	ULTRA	NANO
BIDIRECTIONAL REPEATABILITY	XY	nanometers	+/- 100	+/- 70	+/- 70	+/- 100	+/- 70	+/- 70
	Z	nanometers	+/- 100	+/- 70	+/- 70	+/- 100	+/- 70	+/- 70
	PITCH AND ROLL	arc-sec	+/- 0.6	+/- 0.4	+/- 0.4	+/- 0.6	+/- 0.4	+/- 0.4
	YAW	arc-sec	+/- 0.6	+/- 0.4	+/- 0.4	+/- 0.6	+/- 0.4	+/- 0.4
BACKLASH	XY	nanometers	0 nm / arc-sec			0 nm / arc-sec		
	Z	nanometers	(no backlash on any axis)			(no backlash on any axis)		
	PITCH AND ROLL	arc-sec						
	YAW	arc-sec						
MINIMUM INCREMENTAL STEP SIZE	XY	nanometers	< 20			< 20		
	Z	nanometers	< 20			< 20		
	PITCH AND ROLL	arc-sec	< 0.1			< 0.1		
	YAW	arc-sec	< 0.1			< 0.1		
3D ACCURACY [11]	LINEAR ACCURACY	um	CONTACT ALIO TO			CONTACT ALIO TO		
	STRAIGHTNESS	um	DISCUSS 3D			DISCUSS 3D		
	FLATNESS [2]	um	ACCURACY			ACCURACY		
	PITCH	arc-sec						
	YAW	arc-sec						
	ROLL	arc-sec						
YAW RUNOUT	AXIAL RUNOUT	um	15	12	10	15	12	10
	RADIAL RUNOUT	um	15	12	10	15	12	10
	WOBBLE	arc-sec	25	20	15	25	20	15
RESOLUTION	XY	nanometers	~5 nm			~5 nm		
	Z	nanometers	~5 nm			~5 nm		
	PITCH AND ROLL	arc-sec	~0.04			~0.04		
	YAW	arc-sec	0.03			0.03		
MOTION PROFILE SPECIFICATIONS								
MAX LINEAR VELOCITY [3]	XY	mm/s	25			150		
	Z	mm/s	15			15		
MAX LINEAR ACCELERATION [3]	XY	G	0.5			0.3		
	Z	G	0.5			0.3		
MAX ANGULAR VELOCITY [3]	PITCH AND ROLL	deg/sec	15			15		
	YAW	deg/sec	10			10		
MAX ANGULAR ACCELERATION [3]	PITCH AND ROLL	deg/sec^2	>1000			>1000		
	YAW	deg/sec^2	>1000			>1000		
MAX PAYLOAD		kg	5			5		
PAYLOAD CENTER OF GRAVITY [12]	MAX XY OFFSET	mm	75			75		
	MAX Z OFFSET	mm	75			75		
ASSEMBLY MASS		kg	5.7			9.0		
MOVING MASSES	X	kg	5.4			7.9		
	Y	kg	3.8			5.3		
	Z	kg	1.39			1.39		
	YAW	kg	0.43			0.43		
YAW MASS MOMENT OF INERTIA		kg*mm^2	207			207		

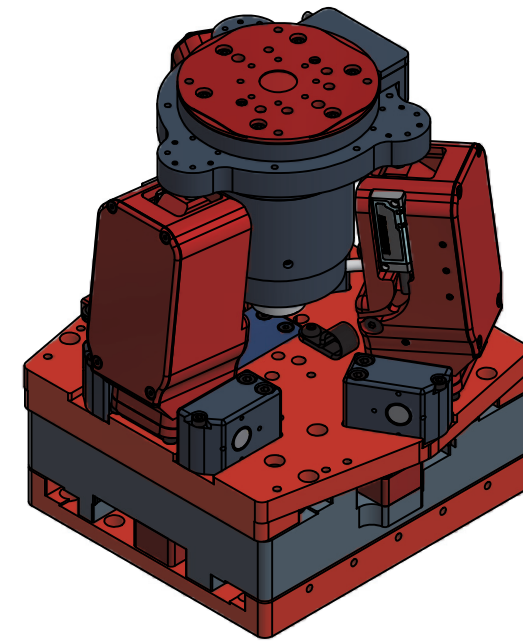
- Notes:
- Specifications measured on stage centerline, 50mm above mounting surface. ALIO provides NIST traceable proof for all options/specs per quote.
  - Flatness specifications dependent on system base. Contact ALIO for more information.
  - Stage limitation at no load. Does not account for drive or resolution limitations.
  - Back EMF plus IR drop must not exceed maximum line to line bus voltage.
  - Resistance values do not include cable resistance. Cable resistance adds approximately 0.2 ohm/m.
  - Continuous operating limits are based on continuous operation at maximum temperature with aluminum heat sink (300mm x 12.5mm x motor length).
  - Maximum on time at peak operating limits is 10 seconds.
  - All electrical specifications may vary by 12% from listed values.
  - Additional motor and travel options are available for each stage for optimized performance as necessary per customer requirements.
  - Angular travel is specified when the Z axis is at mid-stroke and all other angles are at zero degrees. Translation from this specified (mid-stroke) position reduces angular travel.
  - Three dimensional accuracy is affected by all error sources of all axes as well as the infinite possible process points or tool center points. Thus a single specification is not applicable. ALIO specifies three dimensional accuracy specifications on a case by case basis.
  - Payload Cg ideally should be in line with the yaw rotation axis (centered on mounting surface). Offset payload must be within specified range and may influence performance.

ALIO INDUSTRIES PROPRIETARY DOCUMENT  
5335 XENON ST, ARVADA, CO 80002 USA  
(Tel) 303.339.7500 - WWW.ALIOINDUSTRIES.COM

DRAWN	NBROWN	2018-04-05			
CHECKED					
Tolerances: Surface Roughness:			TITLE		
x.x ± 0.5 mm x.xx ± 0.13 mm x.xxx ± 0.05 mm ANGLES ± 0.5°			AI-HH-(XY TRAVEL)XY-(Z TRAVEL)Z-(R DIAMTER)RGR		
MATERIAL			SIZE	DWG NO	REV
FINISH			B	0010-08116	001
SEE NOTES			SCALE	0090-07999-014 ALIO STD TEMPLATE	SHEET 2 OF 3



# ALIO MOTOR SPECIFICATIONS



ALIO INDUSTRIES PROPRIETARY DOCUMENT  
 5335 XENON ST, ARVADA, CO 80002 USA  
 (Tel) 303.339.7500 - WWW.ALIOINDUSTRIES.COM

MODEL	UNITS	AI-HH-60XY-15Z-80RGR	AI-HH-60XY-15Z-80RGR-LM
OPTION	--	--	"LM"=HIGH FORCE LINEAR MOTOR XY
XY MOTOR INFORMATION			
MOTOR TYPE	--	FRAMELESS TORQUE MOTOR WITH PRECISION BALL SCREW	LINEAR BRUSHLESS MOTOR
MOTOR MODEL	--	AI-TM-32A8-Y	AI-LM-144ASN-D
MAGNETIC PITCH (N-N)	deg	180	--
MAGNETIC PITCH (N-N)	mm	--	30.48
BALL SCREW PITCH	mm	1	--
MAX VOLTAGE (LINE TO LINE) [4]	V	340	500
MAX MOTOR TEMP	°C	155	125
THERMAL SENSOR	--	--	NEG. COEFF. THERMISTOR
MOTOR CONNECTION	--	WYE	DELTA
TORQUE CONSTANT	Nm/Arms	0.030	--
FORCE CONSTANT	N/Apk	--	8.4
PHASE RESISTANCE (@25° C) [5]	Ohm	2.2	5.8
PHASE RESISTANCE (@130° C) [5]	Ohm	--	8.0
INDUCTANCE	mH	1.1	1.3
CONTINUOUS FORCE [6]	N	113	26.7
CONTINUOUS TORQUE [6]	Nm	0.08	--
CONTINUOUS CURRENT [6]	Apk	2.78	3.2
PEAK FORCE [7]	N	200	84
PEAK TORQUE [7]	Nm	0.26	--
PEAK CURRENT [7]	Apk	8.79	10.1
BACK EMF CONSTANT	Vrms/krpm	1.8	--
BACK EMF CONSTANT	V/m/s	--	8.4
TRIPOD MOTOR INFORMATION			
MOTOR TYPE	--	FRAMELESS TORQUE MOTOR WITH PRECISION BALL SCREW	
MOTOR MODEL	--	AI-TM-32A8-Y	AI-TM-32A8-Y
MAGNETIC PITCH (N-N)	deg	180	180
BALL SCREW PITCH	mm	1	1
MAX VOLTAGE (LINE TO LINE) [4]	V	340	340
MAX MOTOR TEMP	°C	155	155
THERMAL SENSOR	--	NONE	NONE
MOTOR CONNECTION	--	WYE	WYE
TORQUE CONSTANT	Nm/Arms	0.030	0.030
PHASE RESISTANCE (@25° C) [5]	Ohm	2.2	2.2
INDUCTANCE	mH	1.1	1.1
CONTINUOUS FORCE [6]	N	113	113
CONTINUOUS TORQUE [6]	Nm	0.08	0.08
CONTINUOUS CURRENT [6]	Arms	2.8	2.8
PEAK FORCE [7]	N	200	200
PEAK TORQUE [7]	Nm	0.26	0.26
PEAK CURRENT [7]	Arms	8.8	8.8
BACK EMF CONSTANT	Vrms/krpm	1.8	1.8
YAW (ROTARY) MOTOR INFORMATION			
MOTOR TYPE	--	FRAMELESS TORQUE MOTOR W/ MECHANICAL GEAR REDUCTION	
MOTOR MODEL	--	AI-TM-44AE-Y	AI-TM-44AE-Y
MAGNETIC PITCH (N-N)	deg	120	120
MECHANICAL GEAR RATIO	--	1:100	1:100
MAX VOLTAGE (LINE TO LINE) [4]	VDC	340	340
MAX MOTOR TEMP	°C	155	155
THERMAL SENSOR	--	NONE	NONE
MOTOR CONNECTION	--	WYE	WYE
INPUT TORQUE CONSTANT	Nm/Arms	0.09	0.09
PHASE RESISTANCE (@25° C) [5]	Ohm	4.5	4.5
INDUCTANCE	mH	3.2	3.2
CONTINUOUS OUTPUT TORQUE [6]	Nm	5.40	5.40
CONTINUOUS INPUT TORQUE [6]	Nm	0.21	0.21
CONTINUOUS CURRENT [6]	Arms	2.31	2.31
PEAK OUTPUT TORQUE [7]	Nm	19.0	19.0
PEAK INPUT TORQUE [7]	Nm	0.66	0.66
PEAK CURRENT [7]	Arms	7.3	7.3
BACK EMF CONSTANT	Vrms/krpm	5.5	5.5

- Notes:
- Specifications measured on stage centerline, 50mm above mounting surface. ALIO provides NIST traceable proof for all options/specs per quote.
  - Flatness specifications dependent on system base. Contact ALIO for more information.
  - Stage limitation at no load. Does not account for drive or resolution limitations.
  - Back EMF plus IR drop must not exceed maximum line to line bus voltage.
  - Resistance values do not include cable resistance. Cable resistance adds approximately 0.2 ohm/m.
  - Continuous operating limits are based on continuous operation at maximum temperature with aluminum heat sink (300mm x 12.5mm x motor length).
  - Maximum on time at peak operating limits is 10 seconds.
  - All electrical specifications may vary by 12% from listed values.
  - Additional motor and travel options are available for each stage for optimized performance as necessary per customer requirements.
  - Angular travel is specified when the Z axis is at mid-stroke and all other angles are at zero degrees. Translation from this specified (mid-stroke) position reduces angular travel.
  - Three dimensional accuracy is affected by all error sources of all axes as well as the infinite possible process points or tool center points. Thus a single specification is not applicable. ALIO specifies three dimensional accuracy specifications on a case by case basis.
  - Payload Cg ideally should be in line with the yaw rotation axis (centered on mounting surface). Offset payload must be within specified range and may influence performance.

DRAWN	NBROWN	2018-04-05		
CHECKED				
TOLERANCES:			TITLE	
Surface Roughness: x.x ± 0.5 mm x.xx ± 0.13 mm x.xxx ± 0.05 mm ANGLES ± 0.5°			AI-HH-(XY TRAVEL)XY-(Z TRAVEL)Z-(R DIAMTER)RGR	
MATERIAL			SIZE	REV
FINISH			B	001
SEE NOTES			DWG NO	0010-08116
SCALE			0090-07999-014 ALIO STD TEMPLATE	SHEET 3 OF 3