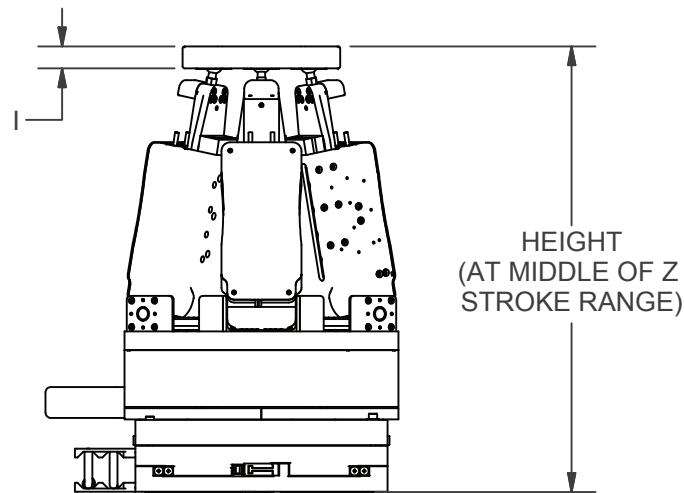
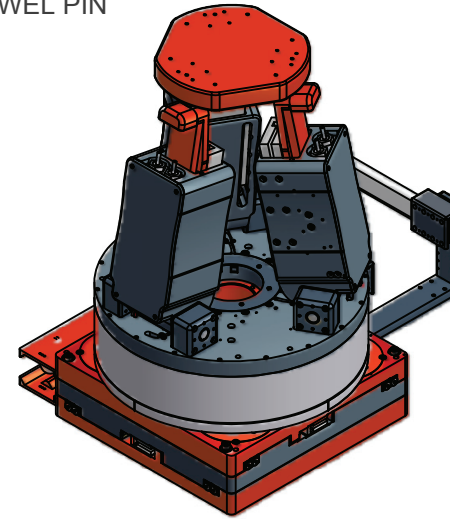
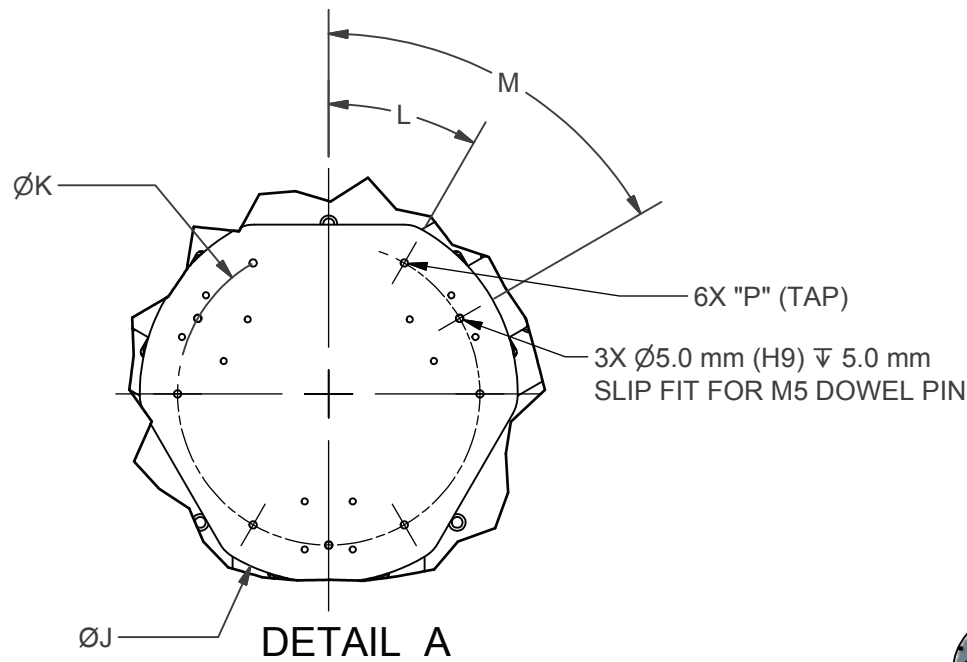
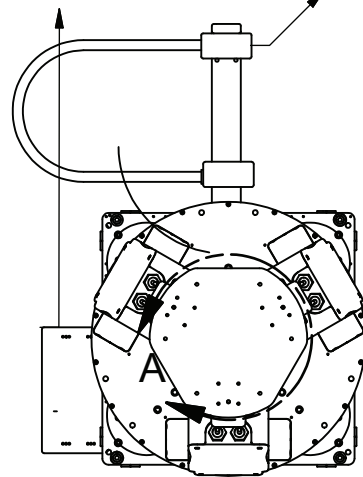




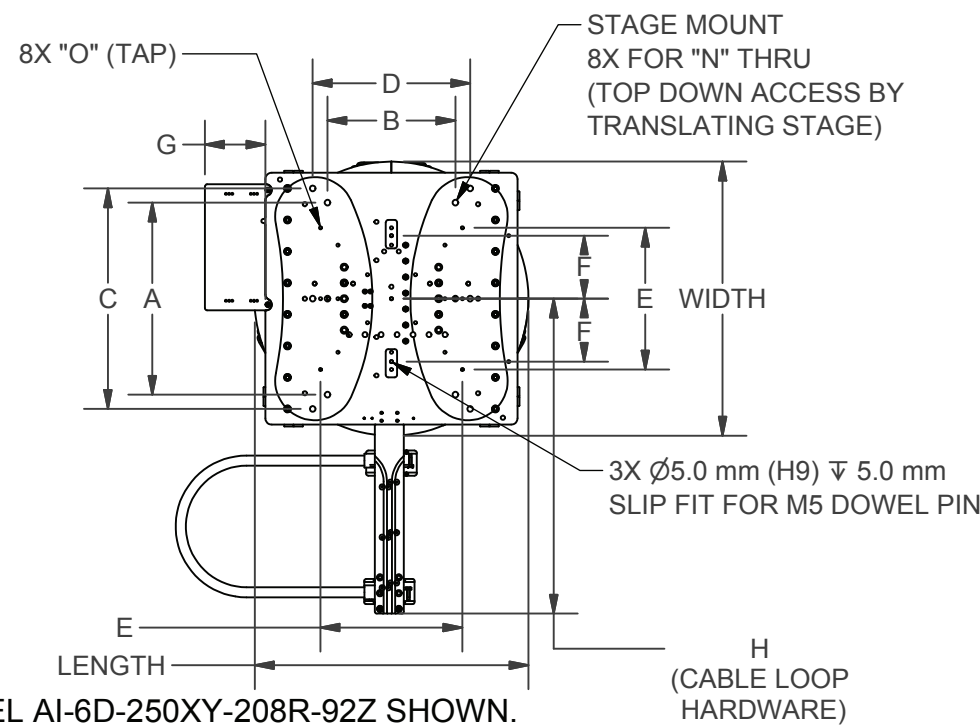
STATIONARY CABLE EXITS
(HIGH FLEX CABLE TRACK LOOPS INCLUDED ON SYSTEM)



STANDARD FEATURES	
Stage	Hybrid Hexapod
Travel	6 Degrees of Freedom (X, Y, Yaw, Z, Pitch, and Roll)
XY Travel	50 - 300+ mm
Z Travel	6 - 106 mm
Angular Travel	+/- 3 to +/- 20 degrees (Pitch and Roll) 360 degrees continuous (Yaw)
Max Payload	2.0 - 35.0+ kg
Motor	Ironless Core Linear Motor and Frameless Torque Motor
Feedback	Non-Contact Optical Encoder
Scale	Gold Tape Scale and Stainless Steel Ring Optional: Near Zero CTE ZeroMet
Linear Resolution	~5 nm
Angular Resolution	< 0.04 arc-sec
Sensors	Integrated Home and End of Travel Limits
Bearings	High Precision Crossed Roller Bearings
Counterbalance	Frictionless Pneumatic Cylinder Optional: Non-Contact Magnetic Spring
Cables	High Flex, 10M Cycle, 3m Length
Structure	Anodized Aluminum 6061-T6 Optional: Stainless Steel
Environment	Standard
Temperature	0°C to 50°C
Humidity	10% to 80% Non-Condensing
Precision	6-D Nano Precision™ Test Methods

XY TRAVEL	Z TRAVEL	PITCH & ROLL TRAVEL	R DIAMETER	OPTION	LENGTH	WIDTH	HEIGHT	A (inch)	B (inch)	C	D	E	F	G	H	I	J	K	L (degrees)	M (degrees)	N	O	P
250	92	+/- 20 degrees	208	--	435	435	707.5	12	8	350	250	275x300	100	96	500	35	250	200	30	60	M8 or 5/16-18	M8 (6X)	M6

* All units millimeters unless otherwise noted.
 * All hole patterns centered on M5 dowel pin at center of XY stage or centered on thru hole of top rotary stage.
 * See specification sheet and contact ALIO technical sales for assistance in model selection.



NOTE: MODEL AI-6D-250XY-208R-92Z SHOWN.

ALIO INDUSTRIES PROPRIETARY INFORMATION
 (Tel) 303.339.7500 - SALES@ALIOINDUSTRIES.COM - WWW.ALIOINDUSTRIES.COM



DRAWN	NBROWN	5/12/2012			
CHECKED					
Tolerances: Surface Roughness: x.x ± .05 in [1.3 mm] x.xx ± .01 in [0.25 mm] x.xxx ± .005 in [0.13 mm] ✓ RMS MAX. Angles ± 0.5°			TITLE AI-6D-(XY TRAVEL)XY- (R DIAMETER)R-(Z TRAVEL)Z- (OPTION)		
MATERIAL			SIZE	DWG NO	REV
FINISH			B	0010-08035	001
SEE NOTES			SCALE	ALIO STD TEMPLATE - REV 006	SHEET 1 OF 1