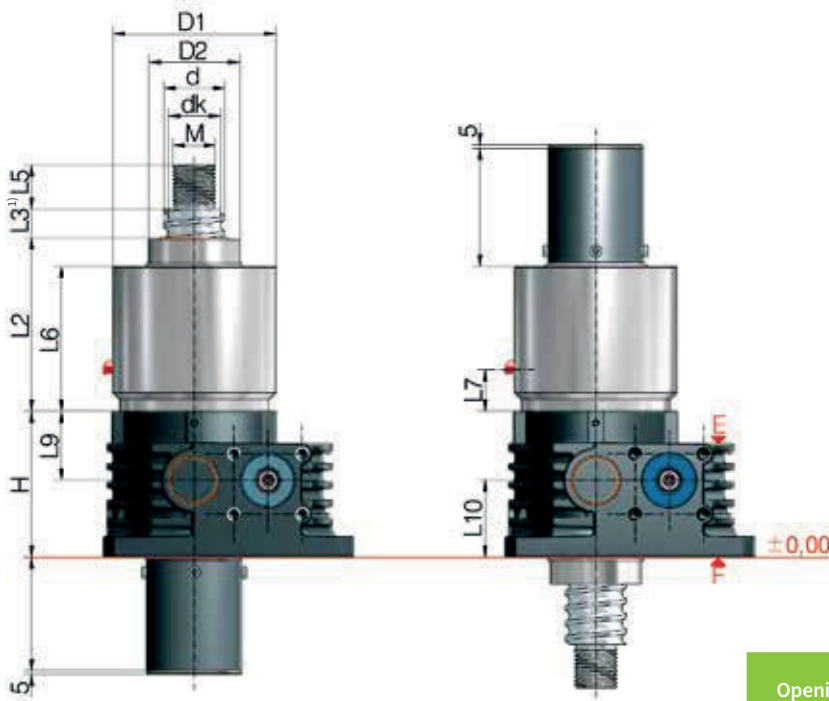


250 to 350 kN

KGT-S | translating screw



Opening for protective tube SRO



Square:
Optionally available with limit switch ES.



Round:
Optionally available with escape protection AS.

	Z-250	Z-350
Opening protective tube	Square: 138x138, R max. 25 or Ø172	Square: 180x180, R max. 30 or Ø228
	Round: Ø142	Round: Ø168
Dimension protective tube	Square: □ 120 x 120	Square: □ 160 x 160
	Round: Ø125	Round: Ø150

For square version VS rotation protection included as standard.

Round version optionally also with AS escape protection.

Detailed calculation of the fitting dimensions (bellows, screw, protective tube...) can be conveniently determined with our online configurator: www.zimm.com

Screw jacks	KGT Screw ØxP	Stroke per drive revolution		KGT Load rating kN		Dimensions mm					Axial play max mm
		SN	SL	dyn. C ²⁾	stat. C ₀ =C _{0a}	H	d	dk	D1	D2	
ZE-250	80x10 ⁴⁾	0,94	0,31	193	993,4	193	80	73,6	216	120	0,03
	80x20	1,87	0,63	359,2	942,5	193	80	67	216	120	0,03
	80x40	3,75	1,25	251,2	565,5	193	80	67	216	120	0,03
	80x60	5,62	1,88	189,1	377	193	80	67	216	120	0,03
ZE-350	100x20	1,87	0,63	330,2	979,1	230	100	87,4	275	145	0,03
	100x40	3,75	1,25	270	734	230	100	87,4	275	145	0,03
	100x60	5,62	1,88	203	489,6	230	100	87,4	275	145	0,03
	100x80 ⁴⁾	7,50	2,50	203	489,6	230	100	87,4	275	145	0,03

Screw jacks	KGT Screw ØxP	Stroke per drive revolution		KGT Load rating kN		Dimensions mm							
		SN	SL	dyn. C ²⁾	stat. C ₀ =C _{0a}	L2	L3 ¹⁾	L5	L6	L7	L9	L10	M
ZE-250	80x10 ⁴⁾	0,94	0,31	193	993,4	228 ⁵⁾	20	58	191 ⁵⁾	45	91	102	M56x2
	80x20	1,87	0,63	359,2	942,5	228 ⁵⁾	40	58	191 ⁵⁾	45	91	102	M56x2
	80x40	3,75	1,25	251,2	565,5	228 ⁵⁾	80	58	191 ⁵⁾	45	91	102	M56x2
	80x60	5,62	1,88	189,1	377	228 ⁵⁾	120	58	191 ⁵⁾	45	91	102	M56x2
ZE-350	100x20	1,87	0,63	330,2	979,1	223	40	78	199	54	115	115	M72x3
	100x40	3,75	1,25	270	734	223	80	78	199	54	115	115	M72x3
	100x60	5,62	1,88	203	489,6	223	120	78	199	54	115	115	M72x3
	100x80 ⁴⁾	7,50	2,50	203	489,6	263	160	78	239	54	115	115	M72x3

1) Depending on the control system and drive, the dimension L3 can be reduced at your own discretion. An extension may be required if a bellows or spiral spring is fitted

2) Dynamic load rating to DIN ISO 3408

4) Non-preferred design

5) Screw Face F: L2 = 244, L6 = 202