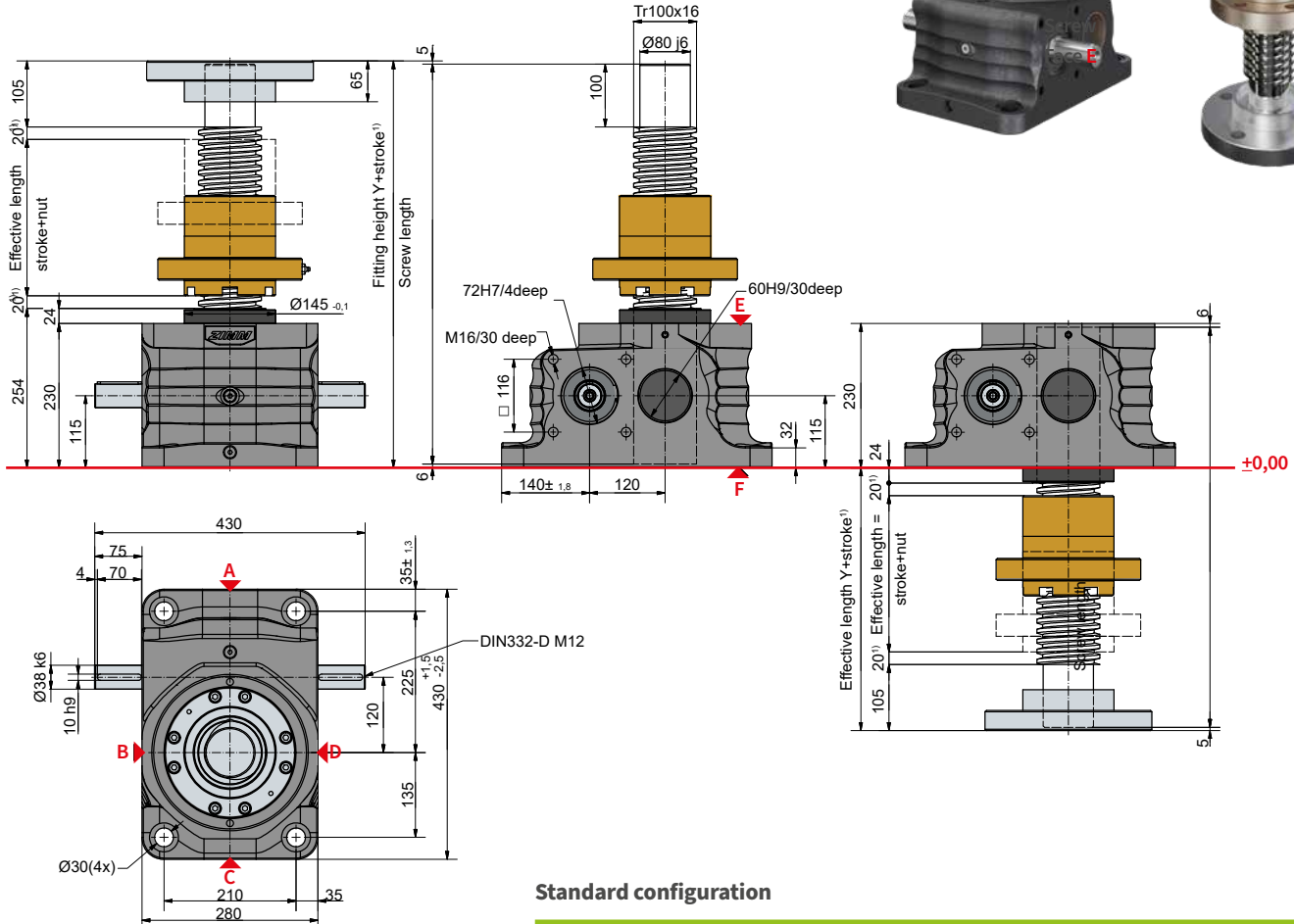
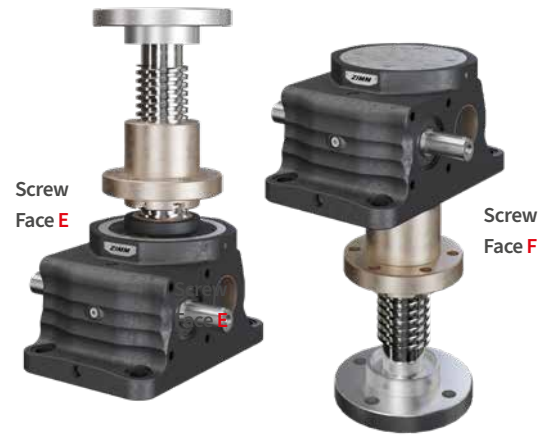


**Tr** **R 350 kN**  
**ZE-350-R** | rotating screw



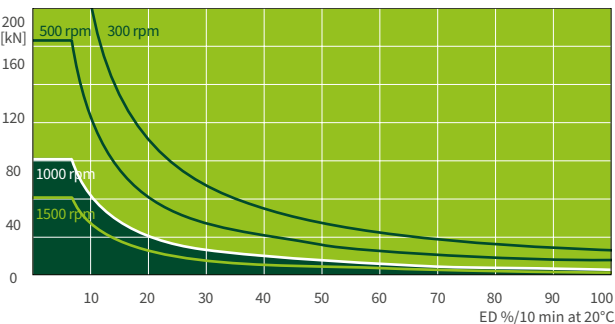
**Standard configuration**

Code	Gearbox (series)	Size	Version (variant)	Ratio	Screw	Stroke per drive shaft rotation
ZE-350-RN	ZE	350	R (rotating screw)	N (normal) 10,66:1	Tr 100x16	1,50 mm
ZE-350-RL				L (low) 32:1		0,50 mm

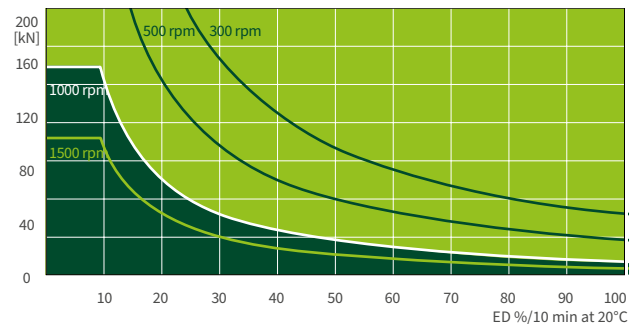
# 350 kN

## Duty cycle thermal limit

Ratio „N“ (10,66:1)



Ratio „L“ (32:1)



These curves are for guidance under standard industrial conditions (ambient temperature 20°C etc.) and correct maintenance (lubrication etc.). They are based on the ZIMM standard trapezoidal thread Tr 100x16. The operation cycles can be many times longer, when using ball screws.