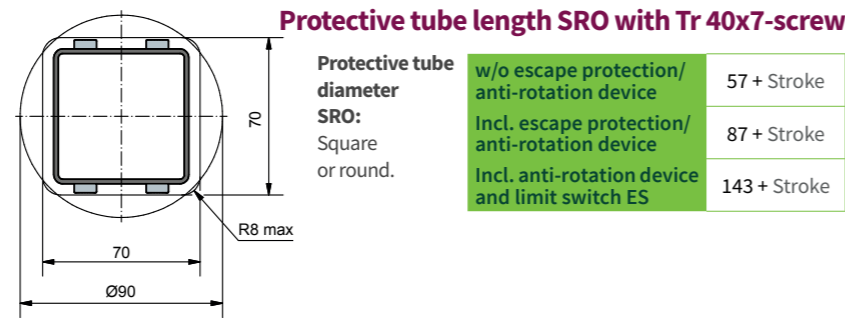
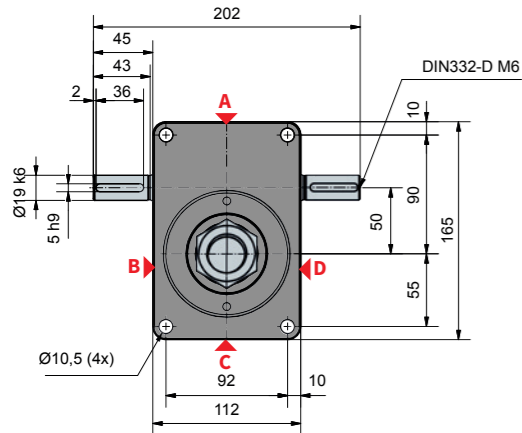
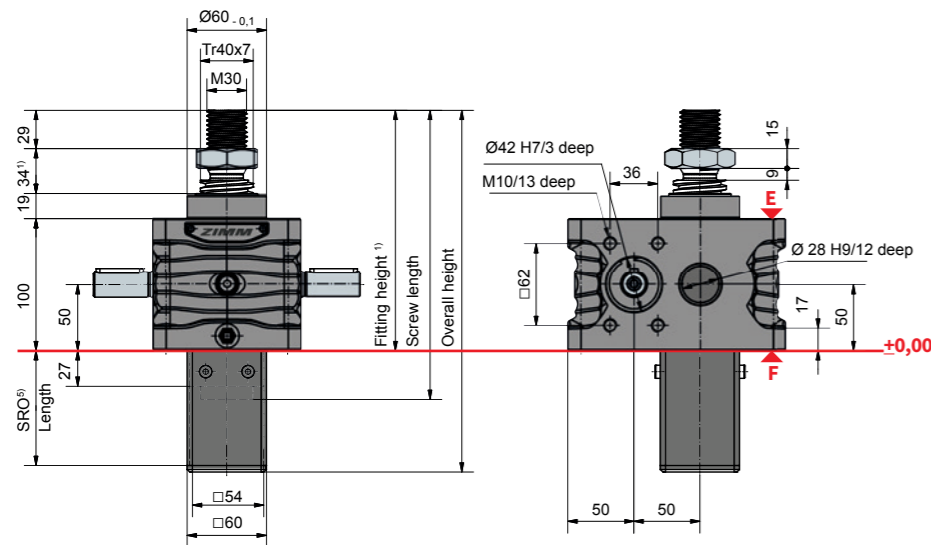


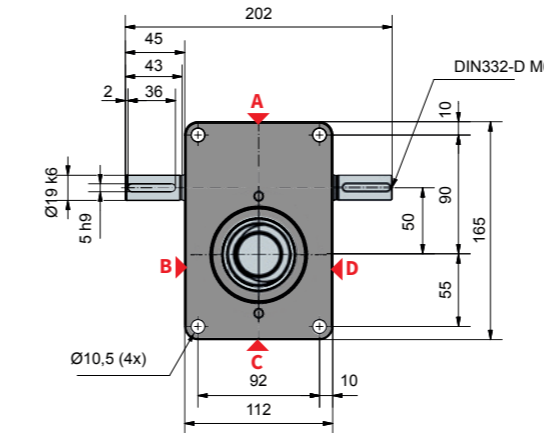
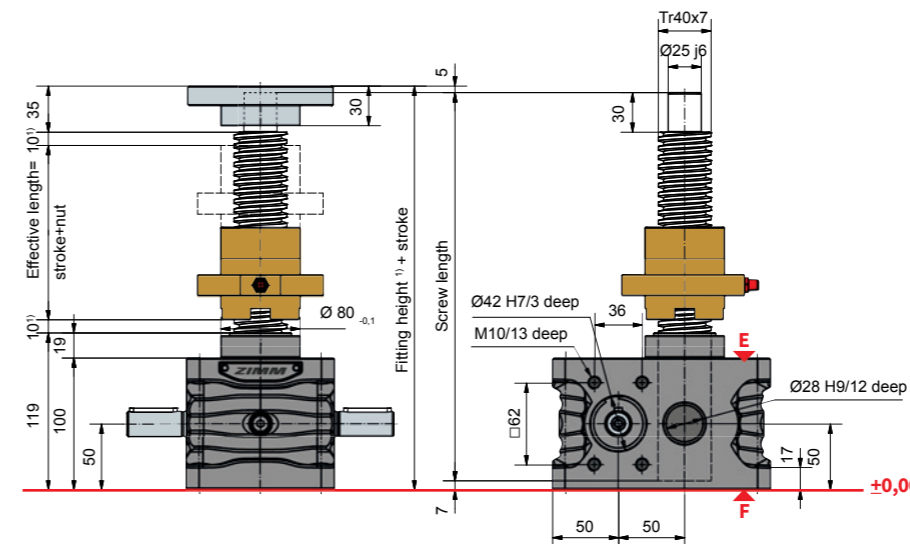
35 kN
ZE-35-S | translating screw



Standard configuration

Code	Gearbox series	Size	Version (variant)	Speed & ratio	Screw size	Stroke per drive shaft rotation
ZE-35-SN	ZE	35	S (translating screw)	N (normal) 7:1	Tr 40x7	1,00 mm
ZE-35-SL				L (low-speed) 28:1		0,25 mm

35 kN
ZE-35-R | rotating screw



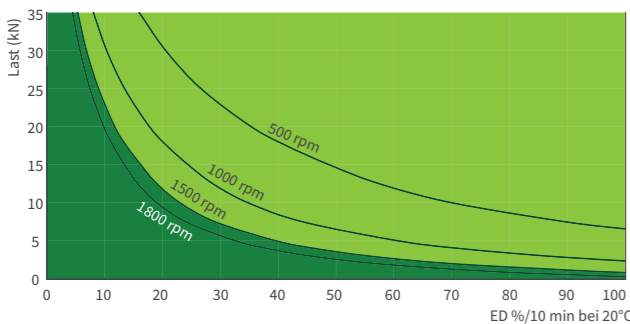
Standard configuration

Code	Gearbox series	Size	Version (variant)	Speed & ratio	Screw size	Stroke per drive shaft rotation
ZE-35-RN	ZE	35	R (rotating screw)	N (normal) 7:1	Tr 40x7	1,00 mm
ZE-35-RL				L (low-speed) 28:1		0,25 mm

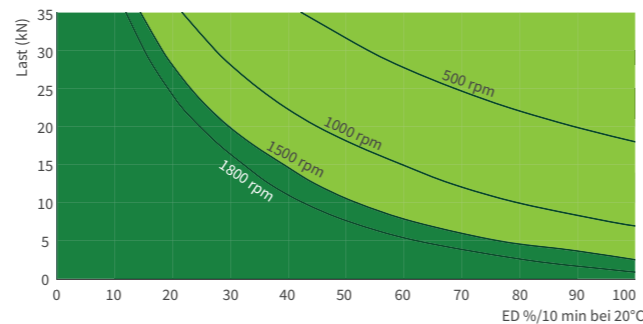
35 kN

Duty cycle thermal limit (S + R) for standard gearbox (grease lubrication)

Ratio „N“ (7:1)



Ratio „L“ (28:1)



These maps are for orientation under standard industrial terms (ambient temperature 20% etc.) and proper maintenance (lubrication, etc.). They are based on the ZIMM standard trapezoidal thread Tr 40x7. With the use of a ball screw, the operation cycles can be many times longer. In case you need an even longer duration or performance, you will find information about our ZE-H high performance gearboxes in chapter 2.3.

Technical data series ZE-35-S / ZE-35-R

max. compressive / tensile force, static: 35 kN (3,5 t)
 max. compressive / tensile force, dyn.: see duty cycle curves
 Input speed: 1500 rpm / max. 1800 rpm (depending on the load and duty cycle)
 Screw size standard: Tr 40x7²⁾
 Gear ratio: 7:1 (N) / 28:1 (L)
 Housing material: GGG, corrosion-resistant
 Worm shaft: steel, case-hardened, ground
 Weight of screw jack body: 9,5 kg
 Weight of screw/m: 8 kg
 Gearbox lubrication: synthetic fluid grease
 Screw lubrication: grease lubrication
 Gearbox operating temperature: max. 60°C, higher on request
 Moment of inertia: N: 0,97 kg cm² / L: 0,67 kg cm²
 Input torque (at 1500 rpm): max. 19,8 Nm (N) / max. 9 Nm (L)
 Drive-through torque: max. 130 Nm
 Drive torque M_G (Nm): F (kN) x 0,69^{3,4)} (N-normal) / F (kN) x 0,23^{3,4)} (L-low speed)
 Breakaway torque: Drive torque M_G x 1,5

Make a plan to keep a safe distance of at least 10 mm between gearbox and nut or between nut and threaded end!
 Detailed length calculations of protection tubes and bellows are easy and convenient with our online configurator:
www.zimm.com

- Important information:**
- 1) If a bellow, spiral spring or double pitch is used; more fitting space is required
 - 2) Tr 40x7 is standard, also available: double-pitch, INOX, left-handed, increased screw Tr 55x9 (only for the R version)
 - 3) factor includes efficiency, ratio and 30% safety
 - 4) for a 7 mm screw pitch
 - 5) to calculate the length of our protective tube length SRO simply use our online configurator: www.zimm.com