

Dimension Sheet for Limit Switch Type 055.00_.5 (Contactless)

(M.05500+5.GB)

Application

This device is used for measuring and monitoring axial and radial disengaging movements, e.g. on EAS[®]-clutches. It acts as a control sensor for electronic and mechanical sequences.



Function

When the sensor surface of the NAMUR sensor scans a metal control flag (damped), the signal relay is triggered, is de-energised and drops. Contacts 1 - 2 are opened. Damping is possible from all sides.

Electrical Connection (Terminal)

1 - 2 - 3 Potential-free two-way contact
5 - 6 Connection input voltage

Design

The electronic amplifier is installed in a light metal housing. The limit switch is fixed using two screw-on mounting links attached diagonally with M4 cap screws.

Technical Data

Input voltage (dependent on design)	230 VAC, ±10 %, 50-60 Hz 115 VAC, ±10 %, 50-60 Hz 24 VDC, PELV, ±5 %, protected against reverse polarity, for overvoltage category II connection
Power consumption	max. 1.5 VA
Ambient temperature	-10 °C up to +60 °C limit switch -25 °C up to +60 °C NAMUR sensor
Protection	IP 54
Conductor cross section	max. 2.5 mm ² / AWG 14
Weight	400 g / 14 oz
Protection fuse	0.1 A / fast acting at 24 VDC (in system)
Signalling relay	Potential-free two-way contacts Contact load max. 250 VAC/12 A Contact material AgNi 90/10 Max. frequency of operating cycles 20 Hz at min. load, 0.1 Hz at max. load
NAMUR sensor internal	Installed in a light metal housing, operating distance SN 2 mm, flush fitting, max. frequency of operating cycles 2 kHz, the zero point can be set per 1 mm by means of the lateral adjusting screw (SW 7).
NAMUR sensor external	metal housing M12 x 1, operating distance SN 2 mm, flush fitting, max. frequency of operating cycles 2 kHz, standard cable length 2 m, max. 100m with special design, Protection IP 67

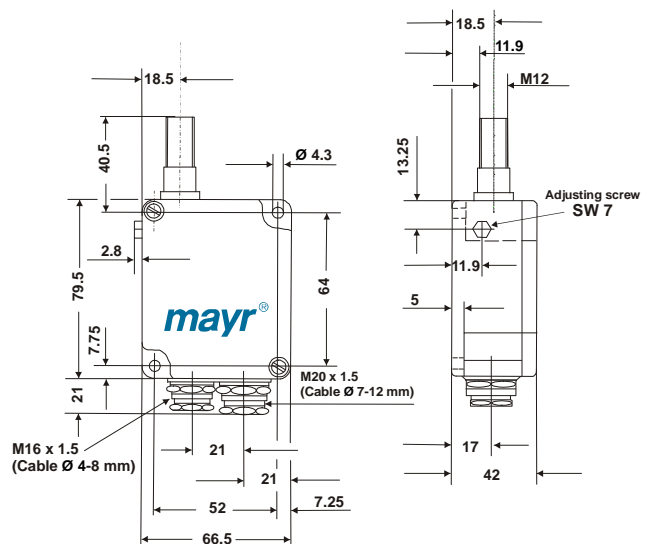
Order Example

To be stated on order:	Type	Connection voltage
Order number:	055.00_.5	---

Contactless sensing	↑	230 VAC
Sensor external 1	→	115 VAC
Sensor internal 2	→	24 VDC



Dimensions (internal NAMUR sensor)



Dimensions (external NAMUR sensor)

