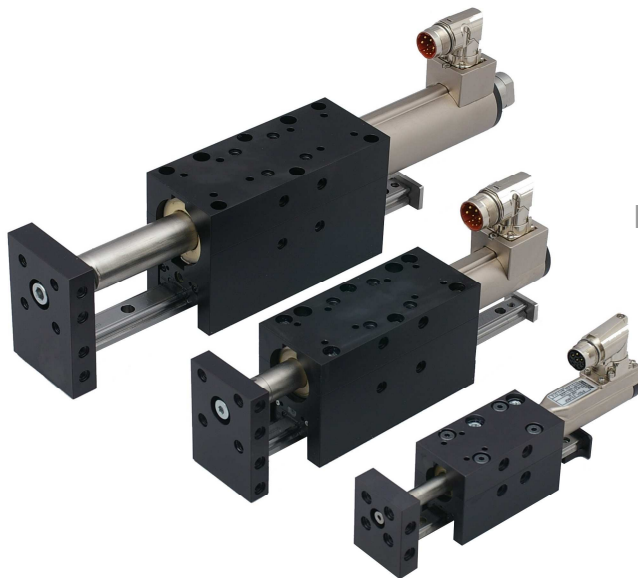
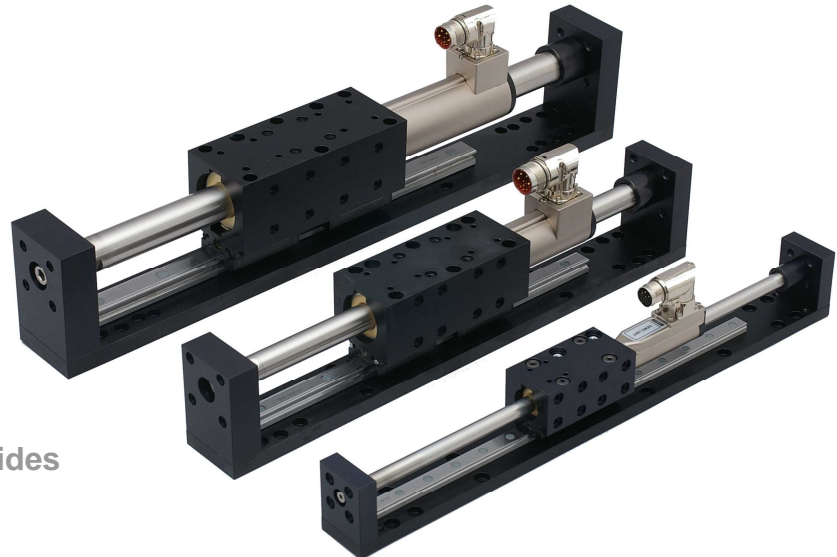


## **HighDynamic<sup>®</sup>**

### **Linear Motor Modules & Linear Motor Guides - The Modular Construction Kit!**



HM01 Linear Motor Modules



HA01 Linear Motor Guides

- **HighDynamic<sup>®</sup>** stands for guaranteed mechanical operating data of 5 m/s & 150 m/s<sup>2</sup>
- tubular linear direct drives integrated

## Overview and Applications of the *HighDynamic*<sup>®</sup> Units

*HighDynamic*<sup>®</sup> is a construction kit consisting of linear modules and guides with integrated linear drives. All *HighDynamic*<sup>®</sup> modules and guides are specified for continuous mechanical operations with 5 m/s and 150 m/s<sup>2</sup> - which is what the name *HighDynamic*<sup>®</sup> stands for!

Through many years of experience in direct drive applications and mechatronics we were able to develop and realize our *HighDynamic*<sup>®</sup> units. Based on the typical construction with only one guide rail, the units combine a lean shape and very low moving masses. The use of innovative bearing technology allows high torsional stiffness, high peak velocity, very high accelerations, long operational life and low expenses.

The HM01 linear modules are an ideal construction element for short stroke applications, whereas the HA01 guides are suitable for long stroke applications.

Modularity allows the combination of HM01 modules and HA01 guides to receive complete multi-axes handling systems.

A number of various options complete the program and make the *HighDynamic*<sup>®</sup> product family available for most applications.



Product Overview



Positioning Controller

*HighDynamic*<sup>®</sup> positioning controllers include a static inverter, positioning control and interfaces to machine controls.

The motion controllers are able to realize simple point to point applications, as well as complex motion profiles. Standard fieldbuses and parallel I/O's enable the integration of *HighDynamic*<sup>®</sup> systems into existing and new machine concepts.

RS 232

PROFI<sup>®</sup>  
PROCESS FIELD BUS  
BUS

DeviceNet

CANopen

EtherCAT<sup>®</sup>

RS 485

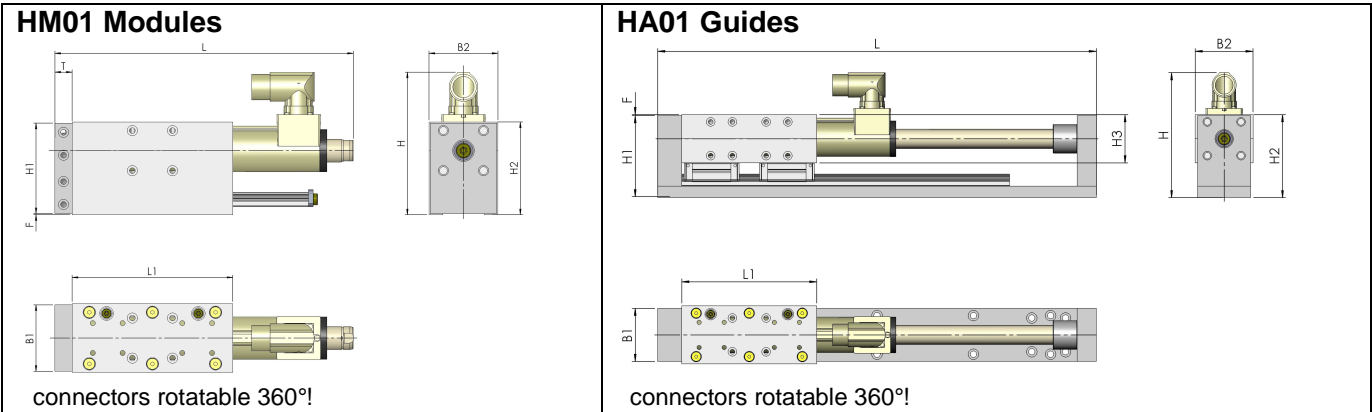
PROFI<sup>®</sup>  
INDUSTIAL ETHERNET  
NET

EtherNet/IP

ETHERNET  
POWERLINK

SERCOS  
interface

# Dimensions Components



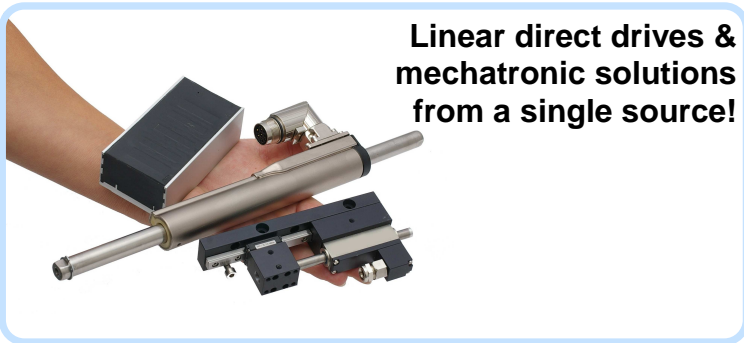
HM01 Modules	L1 [mm]	B2 [mm]	H2 [mm]	T [mm]	B1 [mm]	H1 [mm]	F [mm]	H <sup>1)</sup> [mm]
HM01-23x80	85	44	54	15	42	52	1	90
HM01-23x160	85	44	54	15	42	52	1	90
HM01-37x120	140	60	81	15	58	79	1	125
HM01-37x240	140	60	81	15	58	79	1	125
HM01-48x240	165	70	100	20	68	98	1	150
HM01-48x360	165	70	100	20	68	98	1	150

HA01 Guides	L1 [mm]	B2 [mm]	H2 [mm]	H3 [mm]	B1 [mm]	H1 [mm]	F [mm]	H <sup>1)</sup> [mm]
HA01-23x80	85	44	58	35	42	57	1	94
HA01-37x120	140	60	86	50	55	85	1	130
HA01-48x240	165	70	107	64	65	106	1	156

<sup>1)</sup> measurements without connector

Strokes & Unit Lengths		
HM01 Modules	available stroke [mm]	L [mm]
HM01-23x80	60	209
	160	309
	260	439
HM01-23x160	80	309
	180	439
	280	499
HM01-37x120	40	260
	80	320
	180	415
	280	520
HM01-37x240	80	415
	180	520
	280	620
HM01-48x240	120	437
	210	527
	330	647
HM01-48x360	90	527
	210	647
	300	737
HA01 Guides	available stroke [mm]	L [mm]
HA01-23x80	160	393,5
	230	463,5
	290	523,5
	390	623,5
HA01-37x120	160	455
	260	560
	360	660
	460	760
	560	860
	660	960
	760	1.060
	960	1.260
HA01-48x240	1.160	1.460
	1.360	1.660
	100	485
	190	575
	310	695
	400	785
	490	875
	610	995
700	1.085	
910	1.295	
1.090	1.475	
1.300	1.685	
1.510	1.895	
1.690	2.075	

<b>HighDynamic<sup>®</sup> absolute max. ratings</b>	peak force depending on controller [N]	continuous force nat. cooling [N]	continuous force with forced cooling [N]	max. stroke [mm]	max. speed [m/s]	max. acceleration [m/s <sup>2</sup> ]
<b>HM01 Modules</b>						
HM01-23x80	67	15	25	260	5	150
HM01-23x160	137	31	48	280	5	150
HM01-37x120	255	51	92	280	5	150
HM01-37x240	504	85	160	280	5	150
HM01-48x240	585	145	258	330	5	150
HM01-48x360	1.024	203	354	300	5	150
<b>HA01 Guides</b>						
HA01-23x80	67	15	25	390	5	150
HA01-37x120	255	51	92	1.360	5	150
HA01-48x240	585	145	258	1.690	5	150



**Linear direct drives & mechatronic solutions from a single source!**

**HighDynamic<sup>®</sup> Options**

Various options complete the program and make the product family available for most applications.

- MagSpring<sup>®</sup> mountings for vertical applications
- pneumatic brakes
- cooling fans
- external measuring systems for repeatability of +/- 0,001 mm
- wipers for rough environments

**JUNG ANTRIEBSTECHNIK U.  
AUTOMATION GMBH**  
Felsweg 18  
D-35435 Wettenberg - Germany  
Tel.: +49-(0)641-48017-0  
Fax: +49-(0)641-48017-15  
eMail: ja2@ja2-gmbh.de  
Web: www.ja2-gmbh.de  
www.highdynamic.de

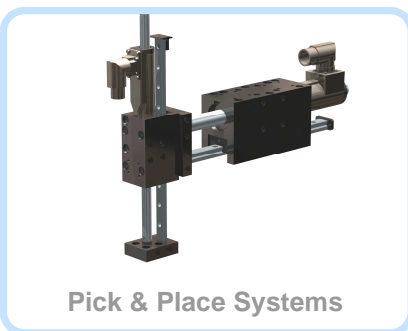
**Distributed by:**

*HighDynamic<sup>®</sup>* is our trademark!  
Technical changes reserved!  
Rev.: 28.10.2017 / js010512

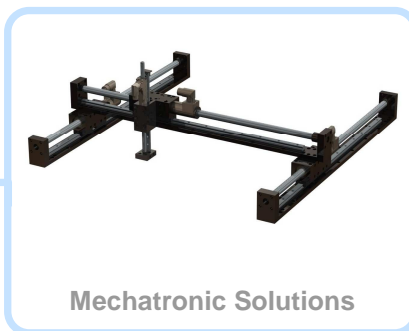
**Available linear drive types**

The modules and guides are available for all current *LinMot<sup>®</sup>* motor types and versions. This allows the option of using the most suitable solution for any application

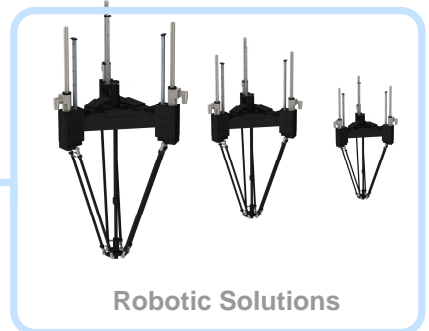
- standard motors
- motors with F winding
- high-performance motor series
- heavy-duty sliders
- high-clearance sliders
- connector options



**Pick & Place Systems**



**Mechatronic Solutions**



**Robotic Solutions**