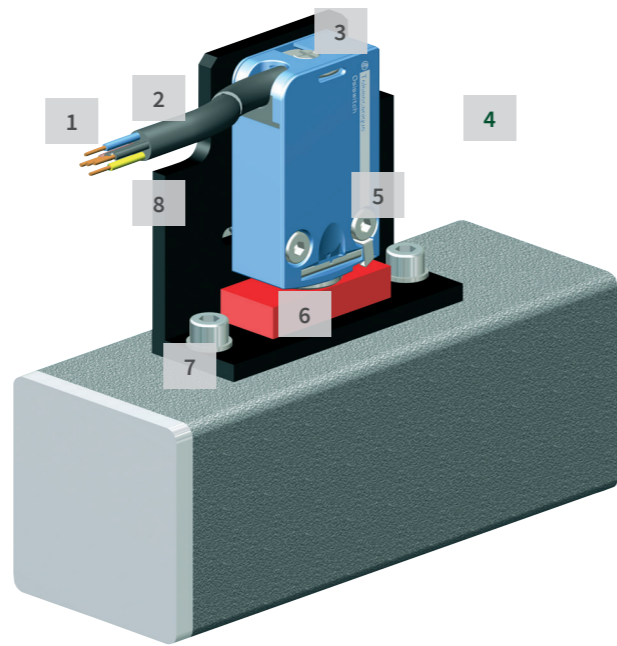


Limit switch set ESSET for the translating version



1

Cable outlet turnable 180°

2

Cabel length 5m standard (2 m, 10 m)

3

Integrated plug, for fast and comfortable revisions

4

One size fits all

5

Fine adjustment +/- 5 mm possible

6

Enclosed fitting, resistant to dirt penetration

7

Assembled and preset delivery

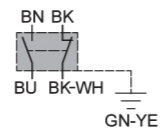
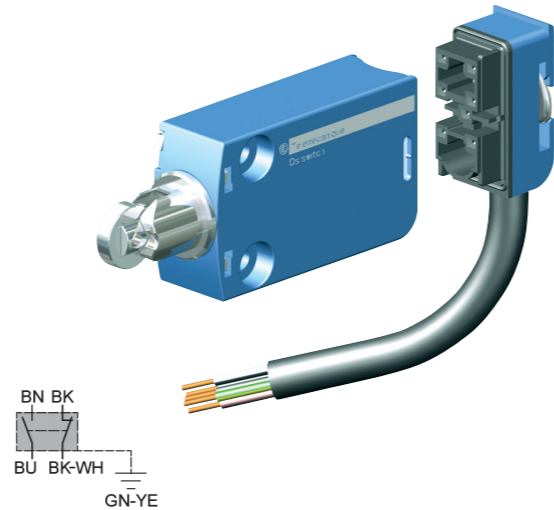
8

Massive mounting, protection against damage

Technical data

Type: Mechanical limit swith with positively-actuated NC relay
 Material: Metal housing and roller plunger
 Mode of operation: 1NO + 1NC, snap action contacts
 Protection class: IP67
 Temperature range: -40°C to +70°C
 Cabel standard-material: PVC black Ø 7,3 mm, 5 x 0,75 mm²
 Cabel standard-temperature: -25°C to +70°C
 Cabel special-temperature: -40°C to +105°C (only available on request)
 Electrical duty: max. 240V AC / 1,5A
 max. 250V DC / 0,1A
 Electrical service life: 5 million switching operations at 24V DC/3W
 1 million switching operations at 230V AC/0,5A
 Weight: Limit switch set: 0,2 kg; cabel (5m): 0,45 kg

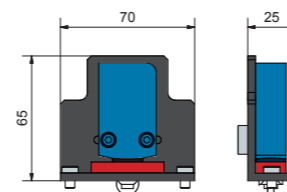
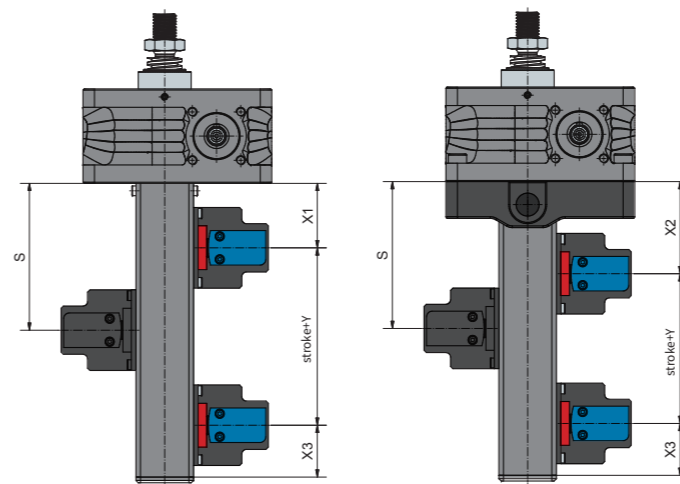
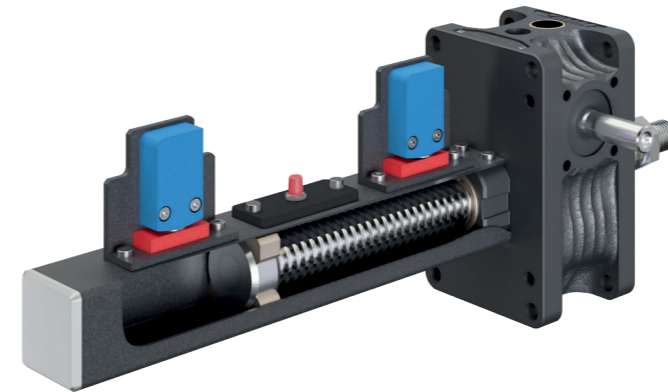
NC	BK	black	black
	BK-WH	black-white	black-white
NO	BU	blue	blue
	BN	brown	brown
Protective earth conductor	GN-YE	green-yellow	green-yellow



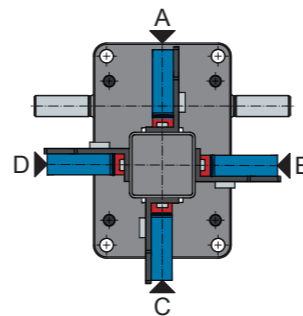
Ordering example for an single switch: **ZE-25-ES-5**

Gearbox size _____
 Limit switch _____
 Cable length _____
 2m, 5m (standard) or 10m, 0 = without cabel

Limit switch ES - Dimensions Positions | for the translating version



Limit switch positions



The limit switch can be mounted on any potential position/side of the protective tube.

Size	Screw	X1	X2	X3	Y
GSZ-2	Tr16x4	48	70	48	21
ZE-5	Tr18x4	49	70	45	25
	KGT16x05, x10	49	70	45	25
	Tr20x4	52	72	45	24
ZE-10	KGT25x05, x10	52	72	45	24
	KGT25x25	77	77	68	24
	KGT25x50	142	142	133	24
ZE-25	Tr30x6	56	80	45	24
	KGT32x05, x10, x20	56	80	45	24
	KGT32x40	91	91	78	24
ZE-35	Tr40x7	64	90	45	34
	Tr40x7	65	90	45	34
ZE-50	KGT40x5, x10, x20	65	90	45	34
	KGT40x40	90	90	68	34
	Tr50x8	65	90	45	34
ZE-50/Tr50	Tr55x9	65	110	45	34
	KGT50x10	65	110	45	34
	KGT50x20	70	110	48	34
ZE-100	KGT50x40	110	110	88	34
	Tr60x9	70	120	45	34
	KGT63x10	70	120	45	34
	KGT63x20	75	120	48	34
ZE-150	KGT63x40	115	120	88	34
	KGT63x60	155	155	128	34
	Tr70x12	70	-	45	34
ZE-200	KGT80x10	70	-	45	34
	KGT80x20	75	-	48	34
	KGT80x40	115	-	88	34
	KGT80x60	155	-	128	34
ZE-250	Tr80x16	75	-	45	30
	KGT80x10	75	-	45	30
	KGT80x20	82	-	50	30
	KGT80x40	122	-	90	30
ZE-350	KGT80x60	162	-	130	30
	Tr100x16	85	-	50	31
	KGT100x20	94	-	57	31
ZE-500	KGT100x40	134	-	97	31
	KGT100x60	174	-	137	31
	KGT100x80	214	-	177	31
	Tr120x16	102	-	55	40
Z-500	KGT125x25	112	-	65	40
	KGT125x40	142	-	95	40
	KGT125x60	182	-	135	40
	KGT125x80	222	-	175	40
Z-750	Tr140x20	110	-	55	40
	KGT140x25	112	-	65	40
	KGT140x40	142	-	95	40
	KGT140x60	182	-	135	40
Z-1000	KGT140x80	222	-	175	40
	Tr160x20	110	-	55	40
	KGT160x25	112	-	65	40
	KGT160x40	142	-	95	40
Z-1000	KGT160x60	182	-	135	40
	KGT160x80	222	-	175	40